

SITRANS T measuring instruments for temperature

Transmitters for rail mounting

SITRANS TW four-wire system, universal, HART

Overview



The user-friendly transmitters for the control room

The SITRANS TW universal transmitter is a further development of the service-proven SITRANS T for the 4-wire system in a mounting rail housing. With numerous new functions it sets new standards for temperature transmitters.

With its diagnostics and simulation functions the SITRANS TW provides the necessary insight during commissioning and operation. And using its HART interface the SITRANS TW can be conveniently adapted with SIMATIC PDM to every measurement task.

All SITRANS TW control room devices are available in a non-intrinsically safe version as well as in an intrinsically safe version for use with the most stringent requirements.

Application

The SITRANS TW transmitter is a four-wire rail-mounted device with a universal input circuit for connection to the following sensors and signal sources:

- Resistance thermometers
- Thermocouple elements
- Resistance-based sensors/potentiometers
- mV sensors
- As special version:
 - V sources
 - Current sources

The 4-wire rail-mounted SITRANS TW transmitter wire is designed for control room installation. It must not be mounted in potentially explosive atmospheres.

All SITRANS TW control room devices are available in a non-intrinsically safe version as well as in an intrinsically safe version for use with the most stringent requirements.

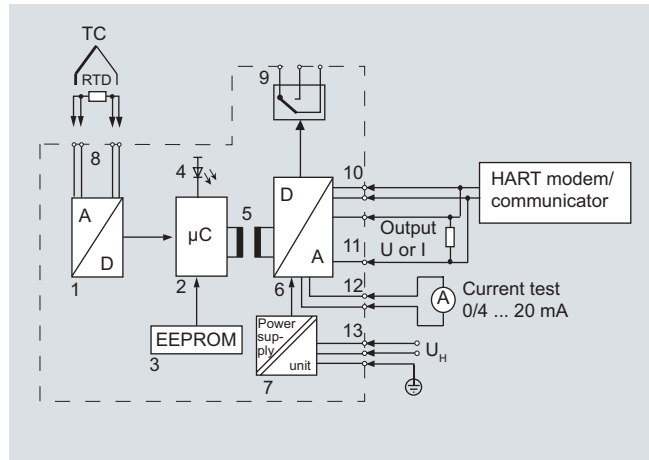
Function

Features

- Transmitter in four-wire system with HART interface
- Housing can be mounted on 35 mm rail or 32 mm G rail
- Screw plug connector
- All circuits electrically isolated
- Output signal: 0/4 to 20 mA or 0/2 to 10 V
- Power supplies: 115/230 V AC/DC or 24 V AC/DC
- Explosion protection [Ex ia] or [Ex ib] for measurements with sensors in the hazardous area
- Temperature-linear characteristic for all temperature sensors

- Temperature-linear characteristic can be selected for all temperature sensors
- Automatic correction of zero and span
- Monitoring of sensor and cable for open-circuit and short-circuit
- Sensor fault and/or limit can be output via an optional sensor fault/limit monitor
- Hardware write protection for HART communication
- Diagnostic functions
- Slave pointer functions

Mode of operation



The signal output by a resistance-based sensor (two-wire, three-wire, four-wire system), voltage source, current source or thermocouple is converted by the analog-to-digital converter (1, function diagram) into a digital signal. This is evaluated in the microcontroller (2), corrected according to the sensor characteristic, and converted by the digital-to-analog converter (6) into an output current (0/4 to 20 mA) or output voltage (0/2 to 10 V). The sensor characteristics as well as the electronics data and the data for the transmitter parameters are stored in the non-volatile memory (3).

AC or DC voltages can be used as the power supply (13). Any terminal connections are possible for the power supply as a result of the bridge rectifier in the power supply unit. The PE conductor is required for safety reasons.

A HART modem or a HART communicator permit parameterization of the transmitter using a protocol according to the HART specification. The transmitter can be directly parameterized at the point of measurement via the HART output terminals (10).

The operation indicator (4) identifies a fault-free or faulty operating state of the transmitter. The limit monitor (9) enables the signaling of sensor faults and/or limit violations. In the case of a current output, the current can be checked on a meter connected to test socket (12).

Diagnosis and simulation functions

The SITRANS TW comes with extensive diagnosis and simulation functions.

Physical values can be defined with the simulation function. It is thus possible to check the complete signal path from the sensor input to inside the control system without additional equipment. The slave pointer functions are used to record the minimum and maximum of the plant's process variable.

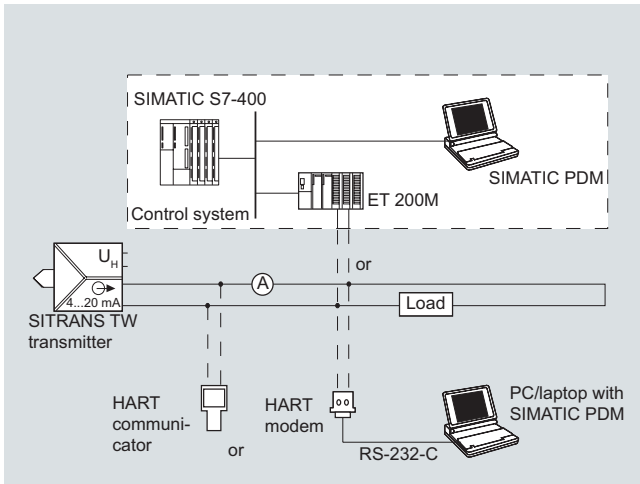
SITRANS T measuring instruments for temperature

Transmitters for rail mounting

SITRANS TW
four-wire system, universal, HART

Integration

System configuration



Possible system configurations

The SITRANS TW transmitter as a four-wire rail-mounted device can be used in a number of system configurations: as a stand-alone version or as part of a complex system environment, e.g. with SIMATIC S7. All device functions are available via HART communication.

Communication options through the HART interface:

- HART communicator
- HART modem connected to PC/laptop on which the appropriate software is available, e.g. SIMATIC PDM
- HART-compatible control system (e.g. SIMATIC S7-400 with ET 200M)

Technical specifications

Input

Selectable filters to suppress the line frequency

50 Hz, 60 Hz, also 10 Hz for special applications (line frequency filter is similar with measuring frequency)

Resistance thermometer

Measured variable

Temperature

Measured range

Parameterizable

Measured span

Min. 25 °C (45 °F) x 1/scaling factor

Sensor type

- DIN IEC 751
- Acc. to JIS C 1604-81
- Acc. to DIN 43760
- Special type ($R_{RTD} \leq 500 \Omega$)

Pt100 (DIN IEC 751)

Pt100 (JIS C1604-81)

Ni100 (DIN 43760)

Multiples or parts of the defined characteristic values can be parameterized (e.g. Pt500, Ni120)

Voltage measurement

Temperature-linear, resistance-linear or customer-specific

Type of connection

- Normal connection
- Sum or parallel connection
- Mean-value or differential connection

Connection

2, 3 or 4-wire circuit

Measuring range limits

Depending on type of connected thermometer (defined range of resistance thermometer)

Sensor breakage monitoring

Monitoring of all connections for open-circuit (function can be switched off)

Sensor short-circuit monitoring

Parameterizable response threshold (function can be switched off)

Resistance-based sensors, potentiometers

Measured variable

Ohmic impedance

Measured range

Parameterizable

Measured span

Min. 10 Ω

Voltage measurement

Resistance-linear or customer-specific

Type of connection

- Normal connection
- Differential connection
- Mean-value connection

Connection

2, 3 or 4-wire circuit

Input range

0 ... 6000 Ω ;
with mean-value and difference circuits: 0 ... 3000 Ω ;

Sensor breakage monitoring

Monitoring of all connections for open-circuit (function can be switched off)

Sensor short-circuit monitoring

Parameterizable response threshold (function can be switched off)

SITRANS T measuring instruments for temperature

Transmitters for rail mounting

SITRANS TW four-wire system, universal, HART

Thermocouple elements

| | |
|------------------------|--|
| Measured variable | Temperature |
| Measured range | Parameterizable |
| Measured span | Min. 50 °C (32.22 °F) x 1/scaling factor |
| Measuring range limits | Depend. on type of thermocouple element |
| Thermocouple | |
| • Type B | Pt30 %Rh/Pt6 %Rh (DIN IEC 584) |
| • Type C | W5 %-Re (ASTM 988) |
| • Type D | W3 %-Re (ASTM 988) |
| • Type E | NiCr/CuNi (DIN IEC 584) |
| • Type J | Fe/CuNi (DIN IEC 584) |
| • Type K | NiCr/Ni (DIN IEC 584) |
| • Type L | Fe-CuNi (DIN 43710) |
| • Type N | NiCrSi-NiSi (DIN IEC 584) |
| • Type R | Pt13 %Rh/Pt (DIN IEC 584) |
| • Type S | Pt10 %Rh/Pt (DIN IEC 584) |
| • Type T | Cu/CuNi (DIN IEC 584) |
| • Type U | Cu/CuNi (DIN 43710) |

Special type
(-10 mV ≤ UTC ≤ 100 mV)

Voltage measurement: Temperature-linear, voltage-linear or customer-specific

Type of connection:

- Normal connection
- Sum connection
- Mean-value connection
- Differential connection

Cold junction compensation: None, internal measurement, external measurement or predefined fixed value

Sensor breakage monitoring: Function can be switched off

mV sensors

| | |
|-----------------------------|-------------------------------------|
| Measured variable | DC voltage |
| Measured range | Parameterizable |
| Measured span | Min. 4 mV |
| Input range | -120 ... +1000 mV |
| Voltage measurement | Voltage-linear or customer-specific |
| Overload capacity of inputs | Max. ± 3.5 V |
| Input resistance | ≥ 1 MΩ |
| Sensor current | Approx. 180 μA |
| Sensor breakage monitoring | Function can be switched off |

V sources

| | |
|---|-------------------------------------|
| Measured variable | DC voltage |
| Measured range | Parameterizable |
| Voltage measurement | Voltage-linear or customer-specific |
| Input range/min. span | |
| • Devices with 7NG3242-xxxx1 or 7NG3242-xxxx0 with U/I plug | -1.2 V ... +10 V/0.04 V |
| • Devices with 7NG3242-xxxx2 | -12 V ... +100 V/0.4 V |
| • Devices with 7NG3242-xxxx3 | -120 V ... +140 V/4.0 V |
| Sensor breakage monitoring | Not possible |

μA, mA sources

| | |
|---|-------------------------------------|
| Measured variable | DC voltage |
| Measured range | Parameterizable |
| Voltage measurement | Current-linear or customer-specific |
| Input range/min. span | |
| • Devices with 7NG3242-xxxx4 | -12 μA ... +100 μA/0.4 μA |
| • Devices with 7NG3242-xxxx5 | -120 μA ... +1000 μA/4 μA |
| • Devices with 7NG3242-xxxx6 | -1.2 mA ... +10 mA/0.04 mA |
| • Devices with 7NG3242-xxxx7 or 7NG3242-xxxx0 with U/I plug | -12 mA ... +100 mA/0.4 mA |
| • Devices with 7NG3242-xxxx8 | -120 mA ... +1000 mA/4 mA |
| Sensor breakage monitoring | Not possible |

Output

Output signal

Load-independent direct current 0/4 ... 20 mA, can be switched to load-independent DC voltage 0/2 ... 10 V using plug-in jumpers.

Current 0/4 ... 20 mA

• Overage: -0.5 ... +23.0 mA, continuously adjustable

• Output range following sensor fault: -0.5 ... +23.0 mA, continuously adjustable

• Load: ≤ 650 Ω

• Open-circuit voltage: ≤ 30 V

Voltage 0/2 ... 10 V

• Overage: -0.25 ... +10.75 V, continuously adjustable

• Output range following sensor fault: -0.25 ... +10.75 V, continuously adjustable

• Load resistance: ≥ 1 kΩ

• Load capacitance: ≤ 10 nF

• Short-circuit voltage: ≤ 100 mA (not permanently short-circuit-proof)

• Electrical damping

- Adjustable time constant T_{63} : 0 ... 100 s, in steps of 0.1 s

• Current source/voltage source: Continuously adjustable within the total operating range

Sensor fault/limit signalling

By operation indicator, relay output or HART interface

Operation indicator

Flashing signal

• Limit violation: Flashing frequency 5 Hz

• Overage: Flashing frequency 1 Hz

Relay output: Either as NO or NC contact with 1 changeover contact

• Switching capacity: ≤ 150 W, ≤ 625 VA

• Switching voltage: ≤ 125 V DC, ≤ 250 V AC

• Switching current: ≤ DC 2.5 A

Overrange: Signalling of sensor or line breakage and sensor short-circuit

Limit monitoring

• Operating delay: 0 ... 10 s

• Monitoring functions of limit module

• Sensor fault (breakage and/or short-circuit)

• Lower and upper limit

• Window (combination of lower and upper limits)

• Limit and sensor fault detection can be combined

• Hysteresis: Parameterizable between 0 and 100 % of measuring range

SITRANS T measuring instruments for temperature

Transmitters for rail mounting

SITRANS TW
four-wire system, universal, HART

| | |
|--|--|
| Power supply | |
| Universal power supply unit | 115/230 V AC/DC or 24 V AC/DC |
| Tolerance range for power supply | |
| • With 115/230 V AC/DC PSU | 80 ... 300 V DC; 90 ... 250 V AC |
| • With 24 V AC/DC PSU | 18 ... 80 V DC; 20.4 ... 55.2 V AC (in each case interruption-resistant up to 20 ms in the complete tolerance range) |
| Tolerance range for mains frequency | 47 ... 63 Hz |
| Power consumption with | |
| • 230 V AC | ≤ 5 VA |
| • 230 V DC | ≤ 5 W |
| • 24 V AC | ≤ 5 VA |
| • 24 V DC | ≤ 5 W |
| Electrical isolation | |
| Electrically isolated circuits | Input, output, power supply and sensor fault/limit monitoring output are electrically isolated from one another. The HART interface is electrically connected to the output. |
| Working voltage between all electrically isolated circuits | The voltage U_{eff} between any two terminals must not exceed 300 V |
| Measuring accuracy | |
| Measurement error | |
| • Error in the internal cold junction | ≤ 3 °C ± 0,1 °C/10 °C (≤ 5.4 °F ± 0,18 °F/18 °F) |
| • Error of external cold junction terminal 7NG3092-8AV | ≤ 0.5 °C ± 0,1 °C/10 °C (≤ 0.9 °F ± 0,18 °F/18 °F) |
| • Digital output | See "Digital error" |
| • Analog output I_{AN} or U_{AN} | ≤ 0.05 % of span in addition to digital error |
| Influencing effects (referred to the digital output) | Compared to the max. span: |
| • Temperature drift | ≤ 0.08 %/10 °C (≤ 0.08 %/18 °F) ≤ 0.2 % in the range -10 ... +60 °C (14 ... 140 °F) |
| • Long-term drift | ≤ 0.1 %/year |
| Influencing effects referred to the analog output I_{AN} or U_{AN} | Compared to the span: |
| • Temperature drift | ≤ 0.08 %/10°C (≤ 0.08 %/18 °F) ≤ 0.2 % in the range -10 ... +60 °C (14 ... 140 °F) |
| • Power supply | ≤ 0.05 %/10 V |
| • Load with current output | ≤ 0.05 % with change from 50 ... 650 Ω |
| • Load with voltage output | ≤ 0.1 % with change in load current from 0 ... 10 mA |
| • Long-term drift (start-of-scale value, span) | ≤ 0.03 %/month |
| Response time (T_{63} without electrical damping) | ≤ 0.2 s |
| Electromagnetic compatibility | |
| | According to EN 61326 and NAMUR NE21 |
| Certificate and approvals | |
| ATEX | To DIN EN 50014: 1997, EN 50020: 1994 |
| Intrinsic safety to EN 50 020 | |
| • for 7NG3242-xAxxx | II (1) G D [EEx ia/ib] IIB |
| • for 7NG3242-xBxxx | II (1) G D [EEx ia/ib] IIC |
| EC-Type Examination Certificate | TÜV (German Technical Inspectorate) 01 ATEX 1675 |

Rated conditions

Installation conditions

Location (for devices with explosion protection)

- Transmitters: Outside the potentially explosive atmosphere
- Sensor: Within the potentially explosive atmosphere zone 1 (also in zone 0 in conjunction with the prescribed protection requirements for the sensor)

Ambient conditions

Permissible ambient temperature: -25 ... +70 °C (-13 ... +158 °F)

Permissible storage temperature: -40 ... +85 °C (-40 ... +185 °F)

Climatic class

- Relative humidity: 5 ... 95 %, no condensation

Design

Weight: Approx. 0.24 kg (0.53 lb)

Enclosure material: PBT, glass-fibre reinforced

Degree of protection to IEC 529: IP20

Degree of protection to VDE 0100: Protection class I

Type of installation: 35-mm top hat rail (1.38 inch) (DIN EN 50022) or 32-mm G-type rail (1.26 inch) (DIN EN 50035)

Electrical connection/process connection: Screw plug connectors, max. 2.5 mm² (0.01 inch²)

Parameterization interface

Protocol: HART, version 5.9

Load with connection of

- HART communicator: 230 ... 650 Ω

- HART modem: 230 ... 500 Ω

Software for PC/laptop: SIMATIC PDM version V5.1 and later

SITRANS T measuring instruments for temperature

Transmitters for rail mounting

SITRANS TW four-wire system, universal, HART

Digital error

Resistance thermometer

| Input | Measured range | Max. permissible line resistance | Digital error |
|----------------------|-----------------------------------|----------------------------------|---------------|
| | °C (°F) | Ω | °C (°F) |
| DIN IEC 751 | | | |
| • Pt10 | -200 ... +850 (-328 ... +1562) | 20 | 3.0 (5.4) |
| • Pt50 | -200 ... +850 (-328 ... +1562) | 50 | 0.6 (1.1) |
| • Pt100 | -200 ... +850 (-328 ... +1562) | 100 | 0.3 (0.5) |
| • Pt200 | -200 ... +850 (-328 ... +1562) | 100 | 0.6 (1.1) |
| • Pt500 | -200 ... +850 (-328 ... +1562) | 100 | 1.0 (1.8) |
| • Pt1000 | -200 ... +850 (-328 ... +1562) | 100 | 1.0 (1.8) |
| JIS C 1604-81 | | | |
| • Pt10 | -200 ... +649 (-328 ... +1200) | 20 | 3.0 (5.4) |
| • Pt50 | -200 ... +649 (-328 ... +1200) | 50 | 0.6 (1.1) |
| • Pt100 | -200 ... +649 (-328 ... +1200) | 100 | 0.3 (0.5) |
| DIN 43760 | | | |
| • Ni50 | -60 ... +250 (-76 ... +482) | 50 | 0.3 (0.5) |
| • Ni100 | -60 ... +250 (-76 ... +482) | 100 | 0.3 (0.5) |
| • Ni120 | -60 ... +250 (-76 ... +482) | 100 | 0.3 (0.5) |
| • Ni1000 | -60 ... +250 (-76 ... +482) | 100 | 0.3 (0.5) |

Resistance-based sensors

| Input | Measured range | Max. permissible line resistance | Digital error |
|---------------------|----------------|----------------------------------|---------------|
| | Ω | Ω | Ω |
| Resistance (linear) | 0 ... 24 | 5 | 0.08 |
| | 0 ... 47 | 15 | 0.06 |
| | 0 ... 94 | 30 | 0.06 |
| | 0 ... 188 | 50 | 0.08 |
| | 0 ... 375 | 100 | 0.1 |
| | 0 ... 750 | 100 | 0.2 |
| | 0 ... 1500 | 75 | 1.0 |
| | 0 ... 3000 | 100 | 1.0 |
| | 0 ... 6000 | 100 | 2.0 |

Thermocouple elements

| Input | Measured range | Digital error ¹⁾ |
|--------|------------------------------------|-----------------------------|
| | °C (°F) | °C (°F) |
| Type B | 0 ... +1820 (+32 ... +3308) | 3 (5.4) |
| Type C | 0 ... +2300 (+32 ... +4172) | 2 (3.6) |
| Type D | 0 ... +2300 (+32 ... +4172) | 1 (1.8) |
| Type E | -200 ... +1000 (-328 ... +1832) | 1 (1.8) |
| Type J | -210 ... +1200 (-346 ... +2192) | 1 (1.8) |
| Type K | -200 ... +1372 (-328 ... +2502) | 1 (1.8) |
| Type L | -200 ... +900 (-328 ... +1652) | 2 (3.6) |
| Type N | -200 ... +1300 (-328 ... +2372) | 1 (1.8) |
| Type R | -50 ... +1760 (-58 ... +3200) | 2 (3.6) |
| Type S | -50 ... +1760 (-58 ... +3200) | 2 (3.6) |
| Type T | -200 ... +400 (-328 ... +752) | 1 (1.8) |
| Type U | -200 ... +600 (-328 ... +1112) | 2 (3.6) |

¹⁾ Accuracy data refer to the largest error in the complete measuring range

Voltage/current sources

| Input | Measuring range | Digital error |
|-------------------------------|-------------------|---------------|
| mV sources (linear) | mV | μV |
| | -1 ... +16 | 35 |
| | -3 ... +32 | 20 |
| | -7 ... +65 | 20 |
| | -15 ... +131 | 50 |
| | -31 ... +262 | 100 |
| | -63 ... +525 | 200 |
| | -120 ... +1000 | 300 |
| V sources (linear) | V | mV |
| | -1.2 ... +10 | 3 |
| | -12 ... +100 | 30 |
| | -120 ... +140 | 300 |
| μA/mA sources (linear) | μA/mA | μA |
| | -12 ... +100 μA | 0.05 |
| | -120 ... +1000 μA | 0.5 |
| | -1.2 ... +10 mA | 5 |
| | -12 ... +100 mA | 50 |
| | -120 ... +1000 mA | 500 |

SITRANS T measuring instruments for temperature

Transmitters for rail mounting

SITRANS TW
four-wire system, universal, HART

Ordering examples

| Desired transmitter | Parameter: | | Ordering design |
|--|------------|---------------------------------|--|
| | Standard | Special | |
| Example 1: SITRANS TW, transmitter in four-wire system <ul style="list-style-type: none"> with explosion protection ATEX 230 V AC/DC power supply current output without sensor fault/limit monitor <ul style="list-style-type: none"> Sensor PT100, three-wire circuit Measuring range 0 ... 150 °C Temperature-linear characteristic Filter time 1 s Output 4 ... 20 mA, line filter 50 Hz Output driven to full-scale in event of like breakage | X | | 7NG3242-1AA00 (stock item) |
| Example 2: SITRANS TW, transmitter in four-wire system <ul style="list-style-type: none"> without explosion protection 24 V AC/DC power supply Voltage output Sensor fault/limit monitor <ul style="list-style-type: none"> Rating plate in English Sensor NiCr/Ni, type K Cold junction internal Measuring range 0 ... 950 °C Temperature-linear characteristic Filter time 1 s Output 0 ... 10 V, line filter 50 Hz Output driven to full-scale in event of like breakage Limit monitoring switched off | X | S76 A05 Y30 | 7NG3242-0BB10-Z Y01 + S76 + A05 + Y30 + H10 Y01: see Order code Y30: MA=0; ME= 950; D=C |
| Example 3: SITRANS TW, transmitter in four-wire system <ul style="list-style-type: none"> without explosion protection 24 V AC/DC power supply Current output without sensor fault/limit monitor <ul style="list-style-type: none"> Voltage input, measuring range -1.2 V ... +10 V Measuring range 0 ... 5 V Source-proportional characteristic Filter time 10 s Output 0 ... 20 mA, line filter 60 Hz No monitoring for sensor fault | X | A40 Y32 G07 H11 J03 | 7NG3242-0BA01-Z Y01 + A40 + Y32 + G07 + H11 + J03 Y01: see Order code Y32: MA=0; ME= 5; D=V |

Ordering information

The order number structure shown below is used to specify a fully functioning transmitter. The selection of the operating data (type of source, measuring range, characteristic etc.) is made according to the following rules:

- Operating data already set in factory to default values:
The default settings can be obtained from the list of parameterizable operating data (see "Special operating data"). The presets can be modified by the customer to match the requirements precisely.
- Operating data set on delivery according to customer requirements:
Supplement the Order No. by "-Z" and add the Order code "Y01". The operating data to be set can be obtained from the list of parameterize operating data. The Order codes A ■■ to K ■■ for operating data to be set need only be specified in the order if they deviate from the default setting.
The default setting is used if no Order code is specified for operating data.

The selected parameters are printed on the transmitter's rating plate.

SITRANS T measuring instruments for temperature

Transmitters for rail mounting

SITRANS TW four-wire system, universal, HART

| Selection and Ordering data | Order No. |
|--|-----------------------|
| SITRANS TW universal transmitter ▶ for rail mounting, in four-wire system (order instruction manual separately) | 7 NG 3 2 4 2 - |
| Explosion protection | |
| • without ▶ | 0 |
| • for inputs [Ex ia] or [Ex ib] ▶ | 1 |
| Power supply | |
| • 115/230 V AC/DC ▶ | A |
| • 24 V AC/DC ▶ | B |
| Output signal | |
| • 0/4 ... 20 mA (can be switched to 0/2 ... 10 V) ▶ | A |
| • 0/2 ... 10 V (can be switched to 0/4 ... 20 mA) ▶ | B |
| Sensor fault/limit monitor | |
| • without (retrofitting not possible) ▶ | 0 |
| • relay with changeover contact ▶ | 1 |
| Input for | |
| • Temperature sensor, resistance-based sensor and mV sensor with measuring range -120 ... +1000 mV DC and with U/I plug ▶ | 0 |
| • Voltage input (V sources) ¹⁾ Measuring range: - DC -1.2 ... +10 V - DC -12 ... +100 V (not Ex version) - DC -120 ... +140 V (not Ex version) | 1 2 3 |
| • Current input (µA, mA sources) ¹⁾ Measuring range: - DC -12 ... +100 µA - DC -120 ... +1000 µA - DC -1.2 ... +10 mA - DC -12 ... +100 mA - DC -120 ... +1000 mA | 4 5 6 7 8 |
| Further designs Please add "-Z" to Order No. and specify Order code(s) (see "List of parameterizable operating data"). | Order code |
| • Customer-specific setting of operating data (see "List of parameterizable operating data") Note: specify in plain text: „see Order code“ | Y01 |
| • Meas. point description (max. 16 char.) | Y23 |
| • Text on front of device (max. 32 char.) | Y24 |
| • HART tag (max. 8 characters) | Y25 |
| • with test report | P01 |
| • with shorting plug to HART communication for 0 mA or 0 V | S01 |
| • with plug for external cold junction compensation | S02 |
| • with U/I plug (-1.2 ... +10 V DC or -12 ... +100 mA) | S03 |
| Language of rating plate (together with Y01 order code only) | |
| • Italian | S72 |
| • English | S76 |
| • French | S77 |
| • Spanish | S78 |

¹⁾ Observe max. values with Ex version.

▶ Available ex stock.

| Selection and Ordering data | Order No. |
|--|--------------------------|
| Accessories | |
| CD for measuring instruments for temperature ▶ | A5E00364512 |
| with documentation in German, English, French, Spanish, Italian, Portuguese and SIPROM T parameterization software | |
| Instruction Manual for SITRANS TW | |
| • German/English ▶ | A5E00054075 |
| • French/Italian/Spanish ▶ | A5E00064515 |
| Cold junction terminal ▶ | 7NG3092-8AV |
| U/I plug ▶ | 7NG3092-8AW |
| (-1.2 ... +10 V DC pr -12 ... +100 mA) | |
| SIMATIC PDM operating software | see Chapter 9 |
| HART modem | |
| • with RS232 interface ▶ | 7MF4997-1DA D) |
| • with USB interface ▶ | 7MF4997-1DB D) |

D) Subject to export regulations AL:N, ECCN: EAR99H.

SITRANS T measuring instruments for temperature

Transmitters for rail mounting

SITRANS TW
four-wire system, universal, HART

List of parameterizable operating data (Order codes F ■ ■ ■ ... K ■ ■ ■)

| Operating data according to default setting | | Order No. with Order code: 7NG3242 - ■ ■ ■ ■ ■ ■ -Z Y01 | | | | | | | | | | |
|---|-------------------|---|---------------------------|---|-----------------------------------|-----------------------------------|--|----------------------------|---------------|-----------------------------------|--|-------|
| Order codes: F ■ ■ ■ ... K ■ ■ ■ | | ■ ■ ■ | + | ■ ■ ■ | + | ■ ■ ■ | + | ■ ■ ■ | + | ■ ■ ■ | | |
| Sensor | | | | | | | | | | | | |
| Thermocouple elements | | Voltage measurement | Filter time ¹⁾ | Output signal and line filter ²⁾ | Failure signal | Limit monitor ³⁾ | | | | | | |
| Type | Temperature range | | | | | | | | | | | |
| B: Pt30 %Rh/ | 0 ... 1820 °C | A 0 0 | Temperature-linear | F 0 0 | 0 s | G 0 0 | 4 ... 20 mA/ | with line breakage/fault: | to full scale | J 0 0 | Limit monitoring ineffective (but sensor fault signalling with closed-circuit operation) | K 0 0 |
| C: W5 %Re | 0 ... 2300 °C | A 0 1 | linear | F 0 0 | 0.1 s | G 0 1 | 2 ... 10 V | | | | | |
| D: W3 %Re | 0 ... 2300 °C | A 0 2 | Voltage-linear | F 1 0 | 0.2 s | G 0 2 | with line filter: | to start of scale | J 0 1 | | | |
| E: NiCr/CuNi | -200 ... +1000 °C | A 0 3 | linear | F 1 0 | 0.5 s | G 0 3 | 50 Hz | hold last value | J 0 2 | | | |
| J: Fe/CuNi (IEC) | -210 ... +1200 °C | A 0 4 | | F 1 0 | 1 s | G 0 4 | 60 Hz | | | | | |
| K: NiCr/Ni | -200 ... +1372 °C | A 0 5 | | F 1 0 | 2 s | G 0 5 | 10 Hz ⁴⁾ | | | | | |
| L: Fe/CuNi (DIN) | -200 ... +900 °C | A 0 6 | | F 1 0 | 5 s | G 0 6 | 0 ... 20 mA/ | no monitoring | J 0 3 | | | |
| N: NiCrSi/NiSi | -200 ... +1300 °C | A 0 7 | | F 1 0 | 10 s | G 0 7 | 0 ... 10 V | | | | | |
| R: Pt13 %Rh/Pt | -50 ... +1760 °C | A 0 8 | | F 1 0 | 20 s | G 0 8 | with line filter: | Safety value ⁵⁾ | Y 6 0 | | | |
| S: Pt10 %Rh/Pt | -50 ... +1760 °C | A 0 9 | | F 1 0 | 50 s | G 0 9 | 50 Hz | | | | | |
| T: Cu/CuNi (IEC) | -200 ... +400 °C | A 1 0 | | F 1 0 | 100 s | G 1 0 | 60 Hz | | | | | |
| U: Cu/CuNi (DIN) | -200 ... +600 °C | A 1 1 | | F 1 0 | Special time ⁵⁾ | Y 5 0 | 10 Hz | | | | | |
| Resistance thermometer (max. permissible line resistances see „Technical specifications“) | | Voltage measurement | Filter time ¹⁾ | Output signal and line filter ²⁾ | Failure signal | Limit monitor ³⁾ | | | | | | |
| Pt100 (DIN IEC) | -200 ... +850 °C | A 2 0 | Temperature-linear | F 0 0 | same as for thermocouple elements | same as for thermocouple elements | with line breakage/fault: | to full scale | J 0 0 | same as for thermocouple elements | | |
| Pt100 (JIS) | -200 ... +649 °C | A 2 1 | linear | F 0 0 | | | to start of scale | J 0 1 | | | | |
| Ni100 (DIN) | -60 ... +250 °C | A 2 2 | Resistance-linear | F 2 0 | | | hold last value | J 0 2 | | | | |
| | | | | | | | no monitoring | J 0 3 | | | | |
| | | | | | | | Safety value ⁵⁾ | Y 6 0 | | | | |
| | | | | | | | with line breakage or short-circuit/fault: | | | | | |
| | | | | | | | to full scale | J 1 0 | | | | |
| | | | | | | | to start of scale | J 1 1 | | | | |
| | | | | | | | hold last value | J 1 2 | | | | |
| | | | | | | | no monitoring | J 1 3 | | | | |
| | | | | | | | Safety value ⁵⁾ | Y 6 1 | | | | |
| Resistance-based sensors, potentiometers (max. permissible line resistances see „Technical specifications“) | | Voltage measurement | Filter time ¹⁾ | Output signal and line filter ²⁾ | Failure signal | Limit monitor ³⁾ | | | | | | |
| | | A 3 0 | Resistance-linear | F 2 0 | same as for thermocouple elements | same as for thermocouple elements | with line breakage/fault: | to full scale | J 0 0 | same as for thermocouple elements | | |
| | | | | | | | to start of scale | J 0 1 | | | | |
| | | | | | | | hold last value | J 0 2 | | | | |
| | | | | | | | no monitoring | J 0 3 | | | | |
| | | | | | | | Safety value ⁵⁾ | Y 6 0 | | | | |
| mV, V and μA, mA sources | | Voltage measurement | Filter time ¹⁾ | Output signal and line filter ²⁾ | Failure signal | Limit monitor ³⁾ | | | | | | |
| | | A 4 0 | Source proportional | F 3 0 | same as for thermocouple elements | same as for thermocouple elements | | | | | same as for thermocouple elements | |
| | | | | | | | | | | | | |
| | | | | | | | | | | | | |
| | | | | | | | | | | | | |
| | | | | | | | | | | | | |
| | | | | | | | | | | | | |
| | | | | | | | | | | | | |
| | | | | | | | | | | | | |
| | | | | | | | | | | | | |
| | | | | | | | | | | | | |

1) Software filter to smooth the result

2) Filter to suppress line disturbances on the measured signal.

3) If signalling relay present

4) for special applications

5) Operating data: see „Special operating data“

SITRANS T measuring instruments for temperature

Transmitters for rail mounting

SITRANS TW
four-wire system, universal, HART

3

Special operating data

| Order code | Plain text required | Options |
|------------|---|---|
| Y00 | N=□□.□□ | Factor N for multiplication with the characteristic values of resistance thermometers Range of values: 0.10 to 10.00 1. Example: 3 x Pt500 parallel: N = 5/3 = 1.667; 2. Example: Ni120: N = 1.2 |
| Y10 | TV=□□□□.□□ D=□ | Temperature TV of the fixed cold junction Dimension; range of values: C, K, F, R |
| Y11 | RL=□□□□.□□ | Line resistance RL in Ω for compensation of cold junction line of external Pt100 DIN IEC 751 Range of values: 0.00 to 100.00 |
| Y20 | RL1=□□□□.□□ RL2=□□□□.□□ | Line resistances RL of channel 1 (RL1) and channel 2 (RL2) in Ω if the resistance thermometer or the resistance-based sensor is connected in a two-wire system Range of values depending on type of sensor: 0.00 to 100.00 |
| Y30 | MA=□□□□.□□ ME=□□□□.□□ D=□ | Start-of-scale value MA and full-scale value ME for thermocouples and resistance thermometers (Range of values depending on type of sensor) Dimension, range of values: C, K, F, R) |
| Y31 | MA=□□□□.□□ ME=□□□□.□□ | Start-of-scale value MA and full-scale value ME for resistance-based sensors or potentiometers in Ω Range of values: 0.00 to 6,000.00 |
| Y32 | MA=□□□□.□□ ME=□□□□.□□ D=□□ | Start-of-scale value MA and full-scale value ME for mV, V, μ A and mA sources Range of values depending on type of sensor: -120.00 to 1,000.00 Dimension (mV entered as MV, V as V, μ A as UA, mA as MA) |
| Y50 | T63=□□□.□ | Response time T63 of software filter in s Range of values: 0.0 to 100.0 Safety value S of signal output in mA or in V corresponding to the set type of output. Range of values - with current output: -0.50 to 23.00 - with voltage output: -0.25 to 10.75 |
| Y60 | S=□□.□□ | Safety value S with line breakage of sensor |
| Y61 | S=□□.□□ | Safety value S with line breakage or short-circuit of sensor |
| Y70 | UG=□□□□.□□ OG=□□□□.□□ H=□□□□.□□ K=□ A=□ T=□□.□ | Lower limit value (dimension as defined by measuring range) Upper limit value (dimension as defined by measuring range) Hysteresis (dimension as defined by measuring range) Switch on/off combination of limit function and sensor fault detection; J=on; N=off (standard: J) Type of relay output: A=open-circuit operation; R=closed-circuit operation (standard: R) Switching delay T of relay output in s Range of values: 0.0 to 10.0 (standard: 0.0) |

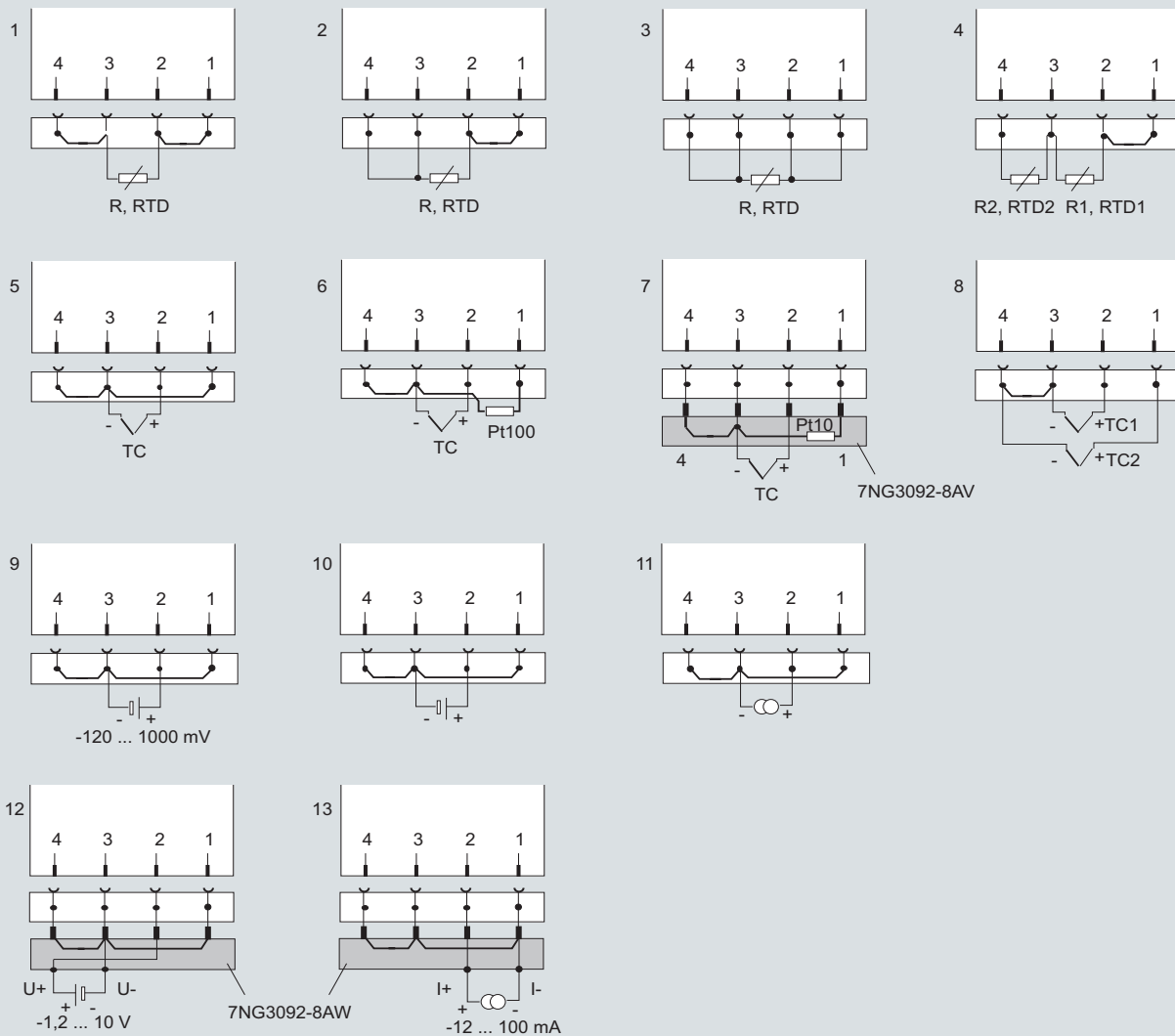
SITRANS T measuring instruments for temperature

Transmitters for rail mounting

SITRANS TW
four-wire system, universal, HART

Schematics

Sensor input connections



Resistance thermometers, resistance-based sensors, potentiometers:

- 1 Two-wire system; resistance can be parameterized for line compensation
- 2 Three-wire system
- 3 Four-wire system
- 4 Difference/mean-value circuit; 2 resistors can be parameterized for line compensation

Thermocouples:

- 5 Determination of cold junction temperature using built-in Pt100 or fixed reference temperature
- 6 Determination of cold junction temperature using external Pt100; resistance can be parameterized for line compensation
- 7 Determination of cold junction temperature using cold junction terminal 7NG3092-8AV
- 8 Difference/mean-value circuit with internal cold junction temperature

Further sources:

- 9 mV sources with two-wire system (7NG3242-xxxx0)
- 10 V sources with two-wire system (7NG3242-xxxx[1-3])
- 11 mA/mA sources with two-wire system (7NG3242-xxxx[4-8])
- 12 Voltage measurement -1,2 to 10 V with U/I plug 7NG3092-8AW (7NG3242-xxxx0)
- 13 Current measurement -12 to 100 mA with U/I plug 7NG3092-8AW (7NG3242-xxxx0)

Connection diagram for the input signal

Channel 1 is the measured variable between the terminals 2 and 3 on the input plug. With a difference or mean-value circuit, the calculation of the measured value is defined by the type of measurement. Otherwise the measured value is determined via channel 1. The following code is used for the type of measurement:

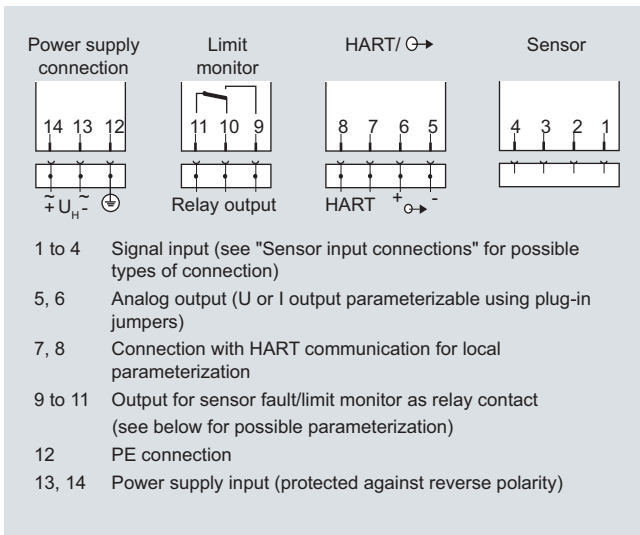
| Type of measurement | Calculation of measured value |
|---------------------------|---|
| Single channel | Channel 1 |
| Differential connection 1 | Channel 1 - Channel 2 |
| Differential connection 2 | Channel 2 - Channel 1 |
| Mean-value 1 | $\frac{1}{2} \cdot (\text{Channel 1} + \text{Channel 2})$ |

The short-circuit jumpers shown in the circuits must be inserted in the respective system on site.

SITRANS T measuring instruments for temperature

Transmitters for rail mounting

SITRANS TW
four-wire system, universal, HART

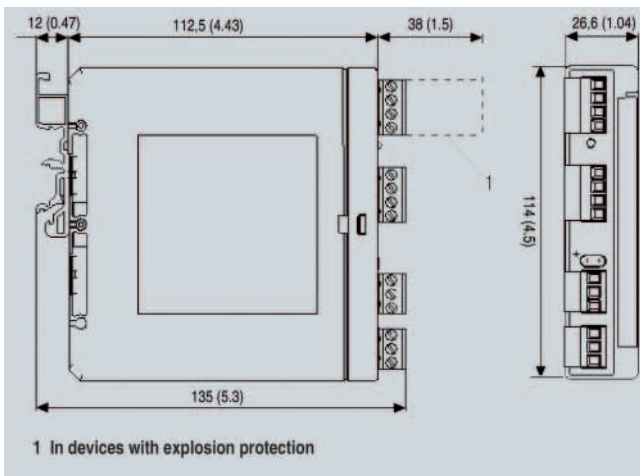


Connection diagram for power supply, input and outputs

Relay output

| | Connected terminals |
|--|---------------------|
| Closed-circuit operation (relay opens when error) | |
| • Device switched off | 10 and 11 |
| • Device switched on and no error | 9 and 11 |
| • Device switched on and error | 10 and 11 |
| Open-circuit operation (relay closes when error) | |
| • Device switched off | 10 and 11 |
| • Device switched on and no error | 10 and 11 |
| • Device switched on and error | 9 and 11 |

Dimensional drawings



Dimensions for control room mounting, rail mounting in mm (inches)