

Product and Applications Description



The pushbutton sys is used for operating the dimmer inserts sys for switching and dimming functions. The available colours match the DELTA switch ranges i-system (vita, line), profil and style. The pushbutton is clipped onto the dimmer insert sys together with the relevant frame of the switch ranges (to be ordered separately) and the transmission of information is carried out via the specific 230V physical external interface (230V-PEI), depending on the respective pushbutton action (TOP, BOTTOM, CENTRE).

Operational concept:

The pushbutton actions of the pushbutton sys can be carried out at the TOP, BOTTOM or in the CENTRE (i.e. TOP and BOTTOM simultaneously). Switching, dimming and memory functions are available, depending on the dimmer insert sys used.

Switching (Actions shorter than 0.4s):

TOP	TOGGLE (i.e. OFF or saved memory value)
BOTTOM	TOGGLE
CENTRE	TOGGLE

Dimming (Actions longer than 0.4s and shorter than 3s):

TOP	Dimming BRIGHTER up to max. light intensity
BOTTOM	Dimming DARKER up to min. light intensity
CENTRE	TOGGLE

Memory function (Actions longer than 3s):

TOP	Dimming BRIGHTER up to max. light intensity
BOTTOM	Dimming DARKER up to min. light intensity
CENTRE	Storing of the current value of light intensity as a memory value; this is confirmed by the dimmer insert sys by switching the connected loads OFF briefly and then ON again.

Installation Instructions

Caution:

The device may be used for interior installations and in dry rooms only in connection with the dimmer inserts sys.



WARNING

- The device must be mounted and commissioned by an authorised electrician.
- The device must not be opened.
- The device may be mounted in switch and socket combination box mounts provided that only VDE-certified devices are used.
- The prevailing safety and accident regulations must be observed.

Technical Specifications

Power supply

via 230V physical external interface (230V-PEI) of the dimmer insert sys.

Connections

10 pin bar (230V-PEI) for connection to the dimmer insert sys.

Mechanical specifications

- Housing: plastic
- Dimensions (L x W x D):

DELTA i-system	55x55x24 mm (including spring)
DELTA profil	65x65x25 mm (including spring)
DELTA style	68x68x27 mm (including spring)
- Weight: approx. 30g
- Fire load: approx. 950kJ
- Mounting: placed on the dimmer insert sys

Electrical safety

- Pollution degree (according to IEC 60664-1): 2
- Protection (according to EN 60529): IP 20
- Overvoltage category (according to IEC 60664-1): III
- Device complies with EN 60669-2-1

Electromagnetic compatibility

complies with EN 61000-6-3, EN 61000-6-1

Environmental specifications

- Climatic conditions: EN 50090-2-2
- Ambient operating temperature: - 5 ... + 45°C
- Storage temperature: - 25 ... + 70°C
- Relative humidity (non-condensing): 5% to 93%

Certification

VDE certificate in preparation

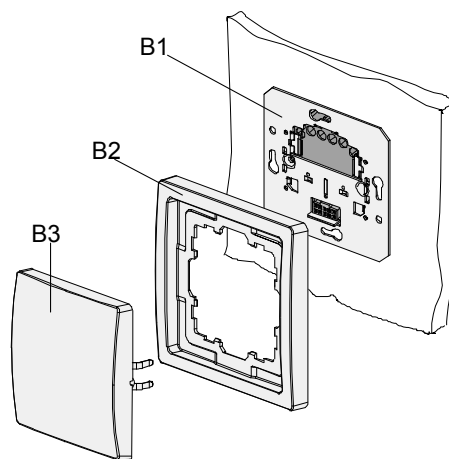
CE norm

complies with the EMC regulations (residential buildings), low voltage regulations

Mounting

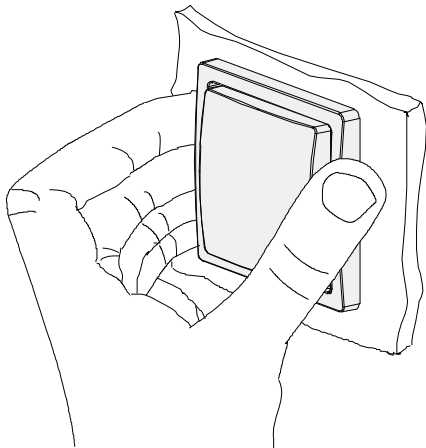
The pushbutton sys is clipped onto the dimmer insert sys together with its frame. The electrical connection between the pushbutton and the insert is thus established via the 230V-PEI.

Mounting:



- B1 dimming insert sys
 B2 Frame
 B3 Pushbutton sys

- 1) The dimmer insert sys is connected and mounted within the flush-type box (see mounting instructions dimmer inserts sys).
- 2) Place the pushbutton sys together with its frame onto the dimmer insert sys.

DELTA Pushbutton sys**5TC1 3..**Dismantling:

Remove the sys pushbutton manually together with its frame.

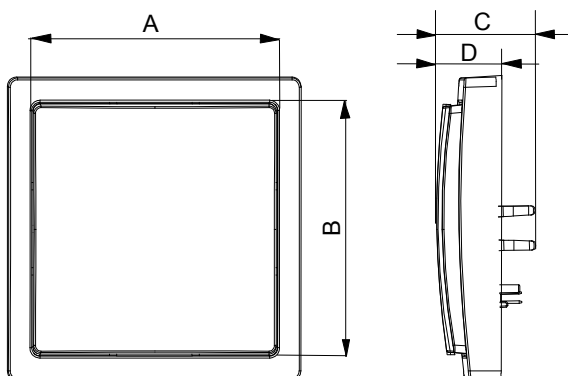
Caution:

Cut-out frames have to be used to integrate the pushbutton sys into the DELTA profil range!

Dimensions Diagram

Dimensions in mm

	A	B	C	D
DELTA i-system	55	55	24	13
DELTA profil	65	65	25	14
DELTA style	68	68	27	16,5

**General notes**

- The operating instructions must be handed over the client
- Any faulty devices should be returned to the local Siemens office.
- If you have further questions concerning the product please contact our technical support:

☎ +49 (911) 895 - 7222

☎ +49 (911) 895 - 7223

E-Mail: support.automation@siemens.com

Web: <http://support.automation.siemens.com>

DELTA

Technical Product Information

August 2010

DELTA Pushbutton sys

5TC1 3..

Notes